

WV
WALL VANITY
SURFACE MOUNTED

ecOLED™
 A DIVISION OF **ecPOWER**



FEATURES

- White opal translucent linear prismatic acrylic diffuser provides soft illumination
- Heavy duty construction
- Solid state, high shock & vibration resistant
- Instant-start, no flickering, no humming
- No mercury; No recycling costs

2', 16-20 watt premium grade surface mount wall vanity provides soft illumination.

TECHNICAL SPECIFICATIONS

Housing	Die & brake formed heavy gauge steel, end caps are fastened with acorn nuts
Finish	White, polyester powder painted housing
Mounting	Mounts over electrical box, optional decorative joiner bands when butted together
Applications	Bathrooms, vanities, utility areas, task lighting, under cabinets

ELECTRICAL SPECIFICATIONS

Lighting Source	SMD Epistar or Cree LED Arrays
Input Voltage	Max. 36vDC
Power Factor	>0.86
Ambient temperature	-20° to 40°C -4° to 104°C
Available Voltages	110-277vAC; 347-480vAC

OPTICAL & PERFORMANCE SPECIFICATIONS

Lumen Output	16w: 1,920L 20w: 2,320L 30w: 3,600L
CRI	>80
Beam Angle	150°
L70	>50,000 hours
LM80	55°C 2000 hours 112%
LM79	96 lumens per watt
Downflux efficiency	98.4% not including lens
Certifications	Approved to CSA and UL standards (UL or equivalent, marked only when specified)



info@ecopowerinc.com | ecoled.ecopowerinc.com | 1.800.564.8086



A Canadian Manufacturer

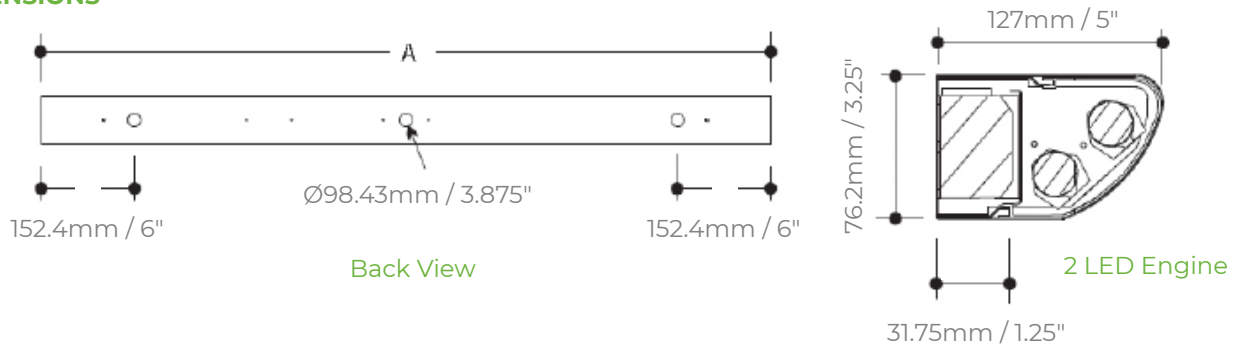
©2019 Ecopower Inc. All rights reserved.
 REV-1011.19-141923

Warranty is only valid based on fixtures operating for 12 hours or less per day.

WV WALL VANITY SURFACE MOUNTED



DIMENSIONS



PRODUCT CODE GENERATOR Some combinations of adders may not be possible, email quotes@ecopowerinc.com for further info.

WV					-	
	↓	↓	↓	↓		↓
Size (")	Wattage	Kelvin	Voltage	Options		
24	16w 20w 30w	WW-3000K NW-4000K CW-5000K DL-6000K	V4 (120v/277v) V5 (347v/480v)	Controls & Battery Pack Options		
				B01 Occupancy Sensor (bronze only)		