

WPSF WALL PLATE SLIP FITTER

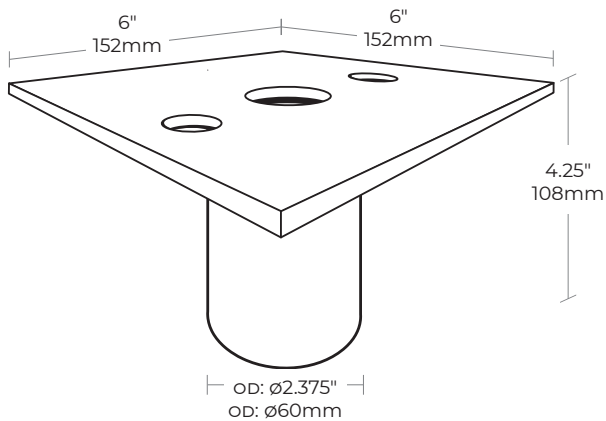


FEATURES

- Rust resistant
- Quick install
- 1 year warranty

Heavy duty brackets support our heaviest flood lights. Horizontal and vertical mounting options.

DIMENSIONS All measurements are approximate



TECHNICAL SPECIFICATIONS

Construction	Cold rolled steel ; Welded construction
Finish	Grey & black (standard), bronze and custom colour options available
Mounting	Pole mount
Applications	Outdoors
Maximum Load	100lbs

PRODUCT CODE GENERATOR Some combinations of adders may not be possible, email quotes@ecopowered.com for further info.

WPSF -

↓

Options

BLK	Black
BRZ	Bronze
GRY	Grey
WH	White
CC(xx)*	Custom Colour* insert custom colour here (xx), RAL/DRYLAC

