

WPHO LED HIGH OUTPUT WALL PACK

ecoLED[™]
A DIVISION OF **ecopower**



FEATURES

- Easy installation
- No mercury; No recycling costs

OPTIONS

- Custom colours available, please contact Ecopower for details
- Photocell
- Occupancy Sensor
- 347v & 480v options

Redesigned premium wall pack utilizing CREE LED chips and IP67 rated Meanwell Drivers. Easy hinge out/detachable front section allows for ease of install. All compartments and connections are waterproof, providing for long life.

TECHNICAL SPECIFICATIONS

Housing	Aluminum body
Finish	Black (standard), Bronze or White (optional)
Mounting	Flush mount
Applications	Walkways, parking lots, alleyways, entrance ways, tunnels and security lighting

ELECTRICAL SPECIFICATIONS

Lighting Source	CREE
Power Factor	>0.95
Ambient temperature	-40° to 40°C
Available Voltages	100-277v standard, 12 & 24vDC options, 100-240vAC, 200-400vAC and 480-528vAC options available

OPTICAL & PERFORMANCE SPECIFICATIONS

IP Rating	IP65
Lumen Output	40w: 3,825L 60w: 5,600L 80w: 7,650L 100w: 9,350L 120w: 11,200L 150w: 14,025L
CRI	>70
Beam Angles	120°
LM80	L70 = 50,000+ hours
LM79	>90 L/W
Certifications	Approved to CSA and UL standards (UL, or equivalent, marked only when specified)



info@ecopowerinc.com | ecoled.ecopowerinc.com | 1.800.564.8086



A Canadian
Manufacturer

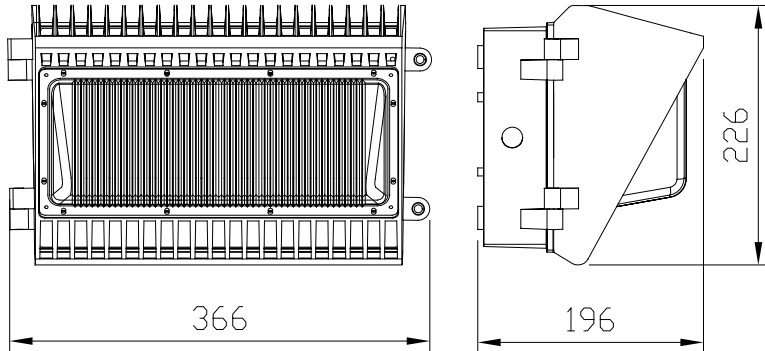
Warranty is only valid based on fixtures operating for 12 hours or less per day.

©2019 Ecopower Inc. All rights reserved.
REV-0724.19-144224

WPHO LED HIGH OUTPUT WALL PACK

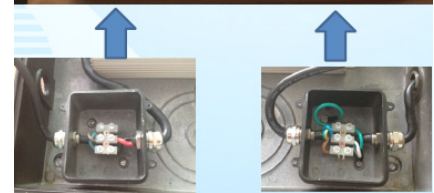
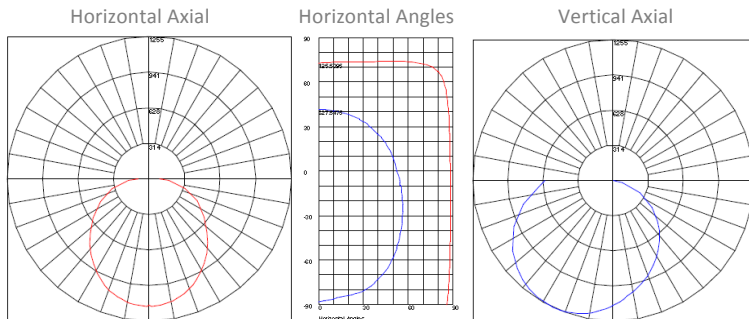


DIMENSIONS

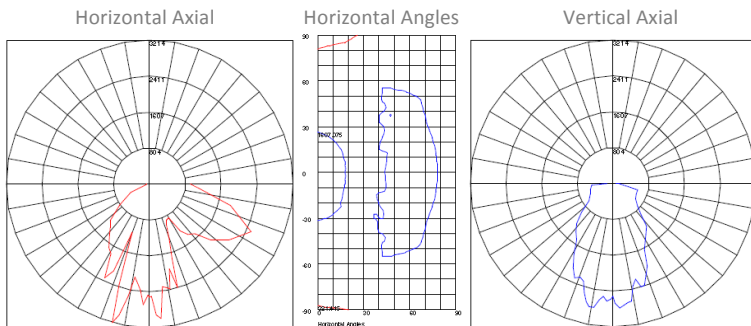


PHOTOMETRICS

60W Wall Pack:



120w Wall Pack:



PRODUCTS AVAILABLE

WPHO100WCWV4-B00
WPHO100WCWV5
WPHO120WCWV4

WPHO150WCWV5
WPHO40WNWV4
WPHO60WCWV4

WPHO60WNWV4
WPHO80WCWV5

info@ecopowerinc.com | ecoled.ecopowerinc.com | 1.800.564.8086



A Canadian
Manufacturer