

# UDO OUTDOOR LED WALL MOUNTED LIGHT



## FEATURES

- Modern Cylindrical Design with Architectural UV Resistant Powder Coat Finish
- IP65 Waterproof Rated
- Available in 4 Different Diameters

## OPTIONS

- Photocell
- Multiple Colour Combinations: Same or Different Colours for Top and Bottom
- RGB Lights (Includes Controller)

Give your outdoor spaces a bright, modern look with the UDO Outdoor LED Wall Mounted Light. Sleek cylindrical design shines light upward and downwards for atmospheric ambient light, ideal for decorative outdoor lighting or as illumination along walkways.

EFFICACY	WATTAGES	VOLTAGES	KELVIN
100 L/w	9w – 72w	100-277VAC	3000K / 5000K / RGB

TECHNICAL SPECIFICATIONS	
Housing	Die-cast aluminum
Finish	Architectural UV resistant powder coat finish - bronze standard; black, silver options
Lens	Tempered glass
Mounting	Wall mounted
Applications	Outdoor wall, Hotel, Park, Corridor

OPTICAL & PERFORMANCE SPECIFICATIONS	
Efficacy	80-100L/w
Lumen Output	9w: 900L / 12w: 1,200L / 18w: 1,800L / 24w: 2,400L / 30w: 3,000L / 36w: 3,600L
IP Rating	IP65
CRI	4000K = >70
THD	<15%
Beam Angle	15° / 30° / 60°
L70	50,000 Hours
Certifications	cETLus

ELECTRICAL SPECIFICATIONS	
Lighting Source	Epistar LED
Driver	IP67 Waterproof Driver
Driver Class	Class 2 Isolated
Driver Power Consumption	10%
Available Wattages	9w (+ 9w) / 12w (+ 12w) / 18w (+ 18w) / 24w (+ 24w) / 30w (+ 30w) / 36w (+ 36w)
Power Factor	>0.9
Ambient temperature	-40° to 50°C / -40° to 122°F
Available Voltages	100-277VAC



info@ecopowerinc.com | led.ecopowerinc.com | 1.800.564.8086



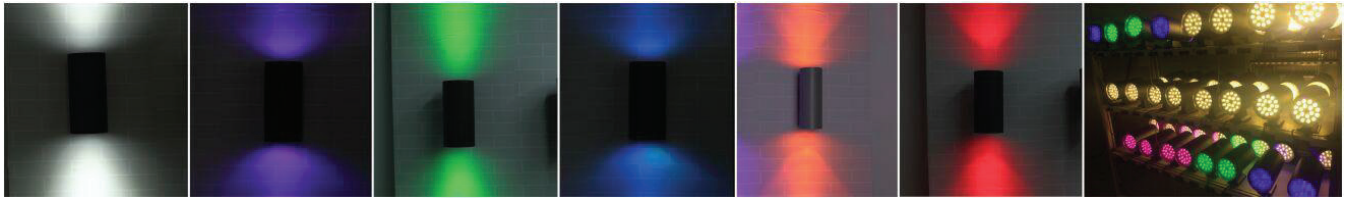
A North American Fabricator

For any additional technical details not listed here, please email sales@ecopowerinc.com

©2020 Ecopower Inc. All rights reserved. REV-0227.20-153131

# UDO OUTDOOR LED WALL MOUNTED LIGHT

**LED** A DIVISION OF  
**ecopower**



## PRODUCT CODE GENERATOR

### UP LIGHT ONLY

<b>UDO-UP</b>	-				<b>V4</b>		-	
		<b>Size</b>	<b>Wattage</b>	<b>Kelvin/Colour</b>	<b>Voltage</b>	<b>Beam Angle</b>		<b>Options</b>
		<b>1</b> (∅108mm) —	9W 12W	<b>WW</b> (3000K) <b>CW</b> (5000K)	V4 (100-277vAC)	15 30 60		B00 Photocell <b>Colour (Bronze Std)</b> BLK Black BRZ Bronze SLV Silver
		<b>2</b> (∅145mm) —	18W	<b>A</b> (RGB - includes remote control)				
		<b>3</b> (∅160mm) —	24W 30W	<b>B</b> (Blue) <b>G</b> (Green) <b>R</b> (Red)				
		<b>4</b> (∅180mm) —	36W					

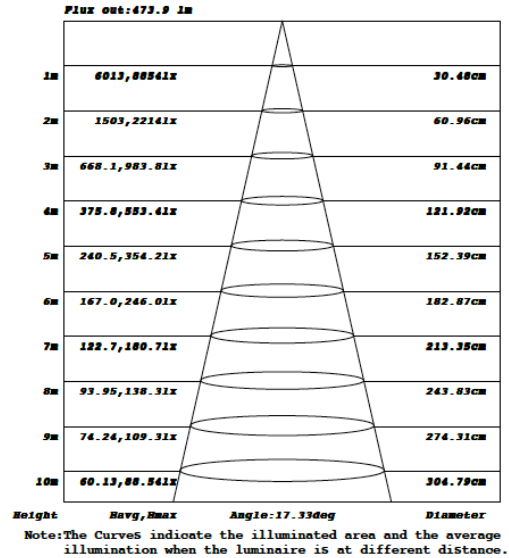
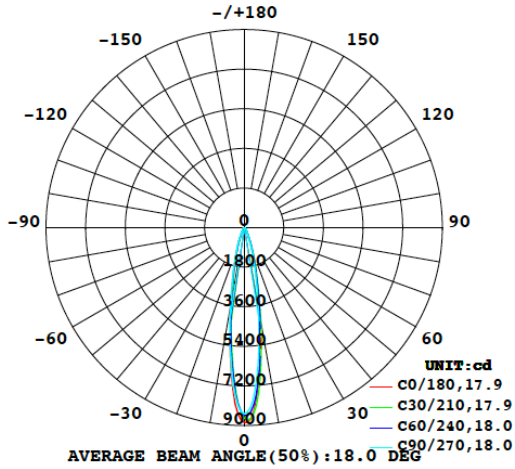
### UP AND DOWN LIGHTS

<b>UDO-UD</b>	-				<b>V4</b>		-	
		<b>Size</b>	<b>Wattage</b>	<b>Kelvin/Colour</b>	<b>Voltage</b>	<b>Beam Angle</b>		<b>Options</b>
		<b>1</b> (∅108mm) —	18W 24W	<b>WW</b> (3000K) <b>CW</b> (5000K)	V4 (100-277vAC)	15 30 60		B00 Photocell <b>Colour (Bronze Std)</b> BLK Black BRZ Bronze SLV Silver
		<b>2</b> (∅145mm) —	36W	<b>A</b> (RGB - includes remote control)				
		<b>3</b> (∅160mm) —	48W 60W	<b>B</b> (Blue) <b>G</b> (Green) <b>R</b> (Red)				
		<b>4</b> (∅180mm) —	72W					

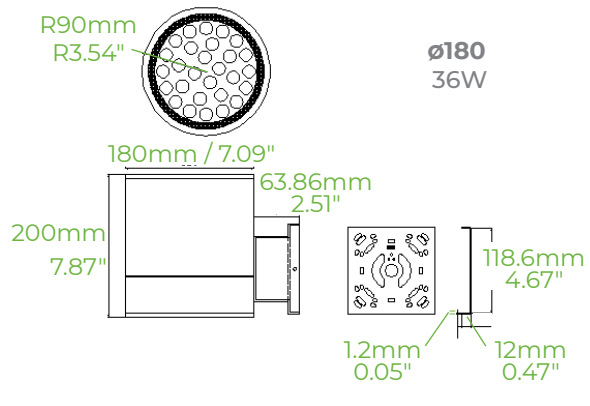
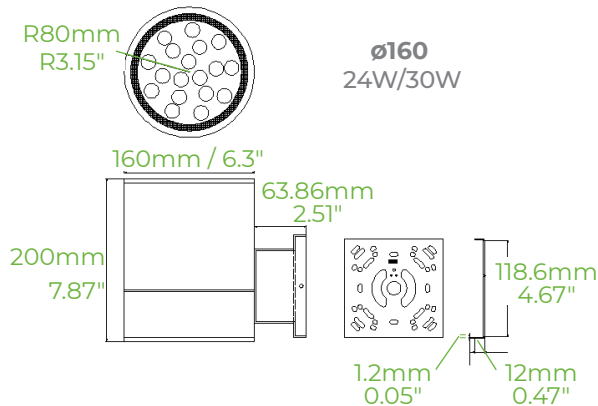
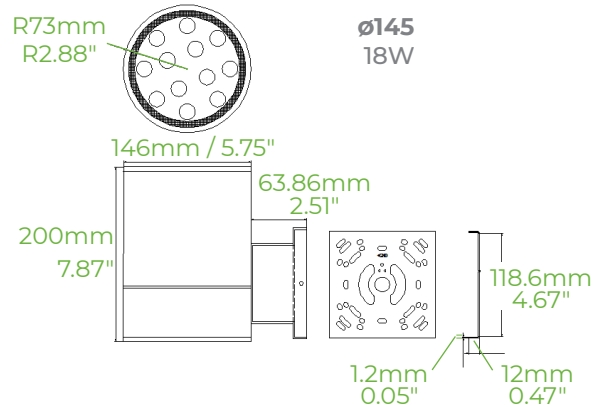
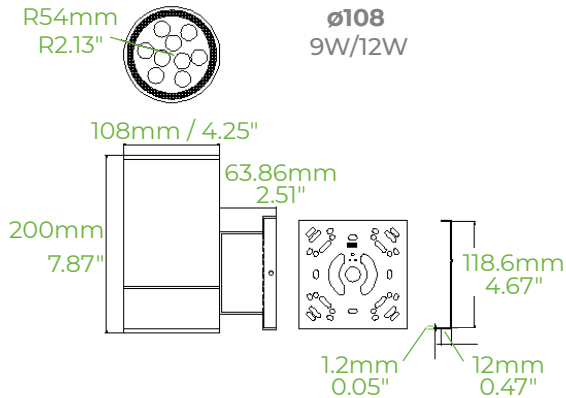
# UDO OUTDOOR LED WALL MOUNTED LIGHT



**PHOTOMETRICS** IES files available at [ecoled.ecopowerinc.com](http://ecoled.ecopowerinc.com)



**DIMENSIONS** All dimensions listed in approximate mm/in  
**UP LIGHT ONLY**



[info@ecopowerinc.com](mailto:info@ecopowerinc.com) | [led.ecopowerinc.com](http://led.ecopowerinc.com) | 1.800.564.8086



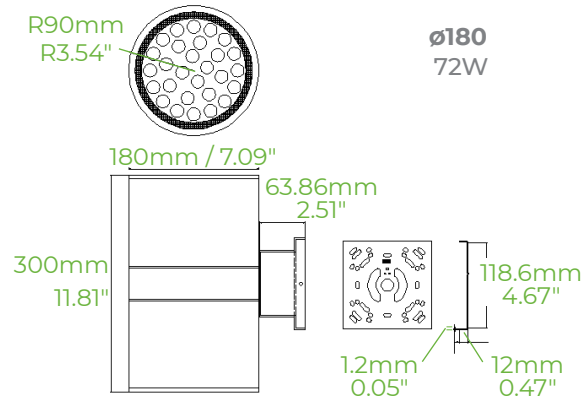
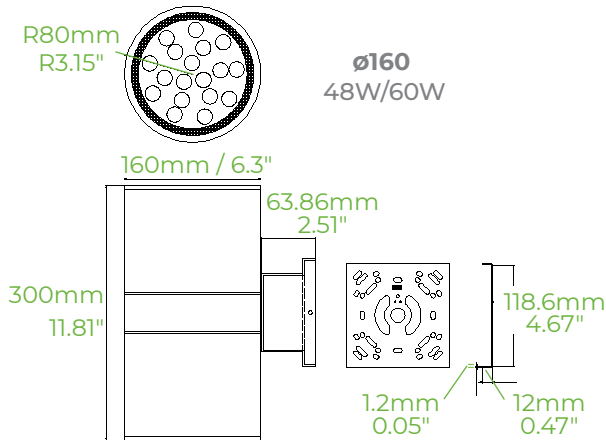
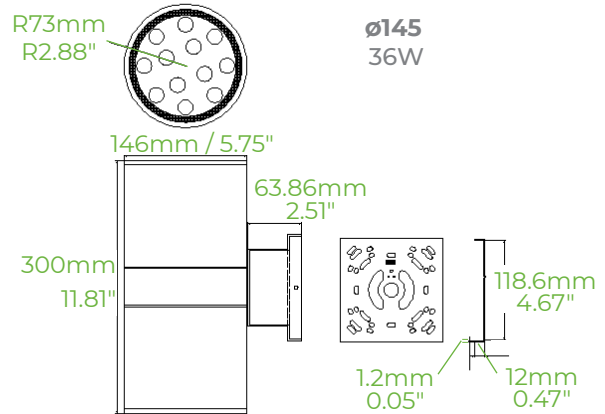
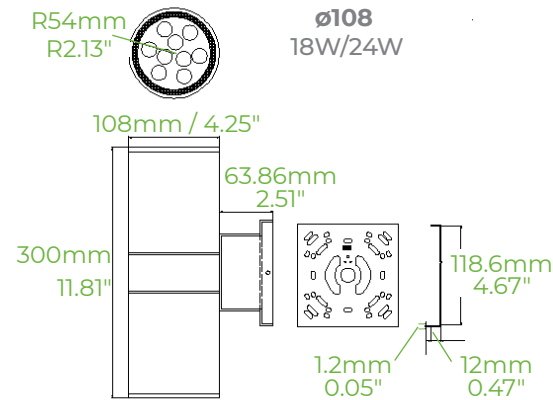
A North American Fabricator

# UDO OUTDOOR LED WALL MOUNTED LIGHT

**LED** A DIVISION OF  
**ecopower**

**DIMENSIONS** All dimensions listed in approximate mm/in

## UP AND DOWN LIGHT



## RF REMOTE CONTROLLER



### BUTTON FUNCTIONS

- 1: Off
- 2: ON
- 3: Static Red
- 4: Static Green
- 5: Static Blue
- 6: Static Yellow (R+G)
- 7: Static Cyan (G+B)
- 8: Static Purple (R+B)
- 9: Static White (R+G+B)
- 10: The colour chosen above changes systematically.
- 11: Three colour (R+G+B) jumpy change
- 12: Seven colour cycling gradually

### SPECIFICATIONS

Working Temperature	-20 – +60°C   -4 – +140°F
Supply Voltage	DC12V
Current	<60mA
External Dimensions	126 x 50 x 20 mm / 5 x 2 x 0.8"
Net weight	50g   0.1 lb
Max Control Distance	50m   164' (unobstructed)

By default, all UDO fixtures are programmed to operate on the same channel. Please contact us at [sales@ecopowerinc.com](mailto:sales@ecopowerinc.com) if you require fixtures (or groups of fixtures) to be controlled independently.

[info@ecopowerinc.com](mailto:info@ecopowerinc.com) | [led.ecopowerinc.com](http://led.ecopowerinc.com) | 1.800.564.8086



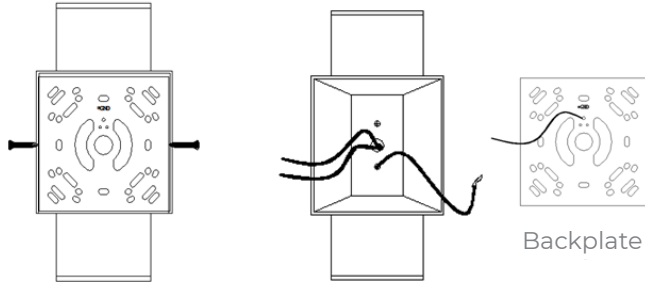
A North American  
Fabricator

# UDO OUTDOOR LED WALL MOUNTED LIGHT

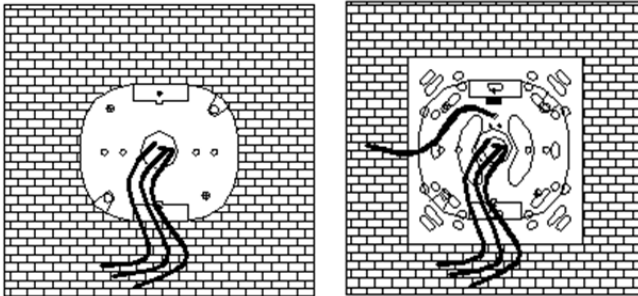


## INSTALLATION

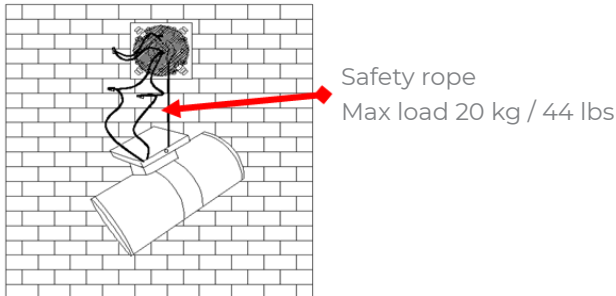
Loosen the screws and remove the backplate.



Feed the wires through the hole in the middle of the backplate and screw backplate to the J-box



Hang safety rope from the backplate using the attached clip. Allow light to hang for hands free wiring. Connect wires with wiring caps.

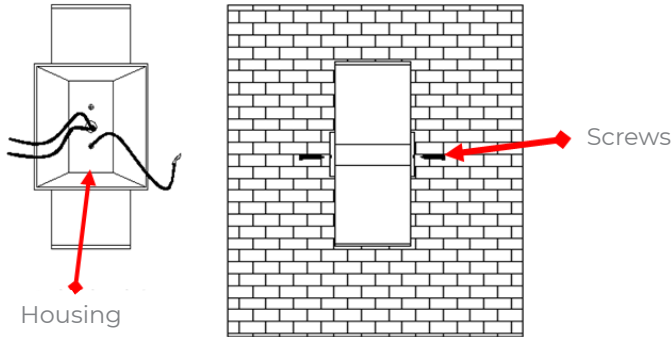


# UDO OUTDOOR LED WALL MOUNTED LIGHT



## INSTALLATION

Finish wiring, push all wires inside the housing. Then affix the lamp to the baseplate using screws on the left and right sides of the housing.



Using waterproof silicone, seal the gap between the lamp and the wall - using a thicker bead if being installed in an outdoor location.

