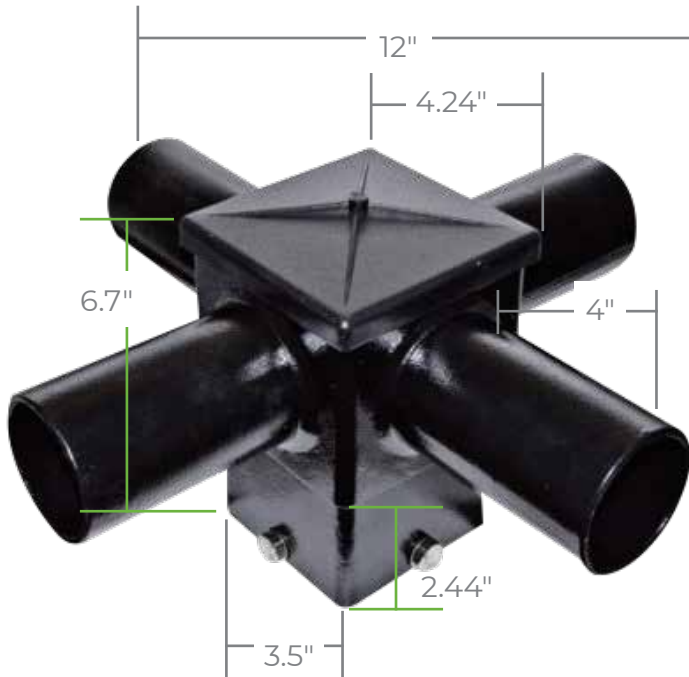


STR-B4-2P SQUARE TO ROUND POLE 4 HEADS



FEATURES

- For 4" Square Poles
- 4x4" Post Mount with Four Horizontal Arms
- External Mounting
- Bronze Standard; Black Option

TECHNICAL SPECIFICATIONS

Construction	Steel
Finish	Bronze standard; black option
Mounting	Pole mount
Applications	Outdoors
Maximum Load	100lbs
EPA	0.700 ft ²

PRODUCT CODE GENERATOR Some combinations of adders may not be possible, email quotes@ecopowerinc.com for further info.

SNC-STR-B4-2P	-	<input type="text"/>
↓		
Options		
Colour (Bronze standard)		
BLK	Black	
BRZ	Bronze	



info@ecopowerinc.com | ecopowerinc.com | 1.800.564.8086



A Canadian
Manufacturer