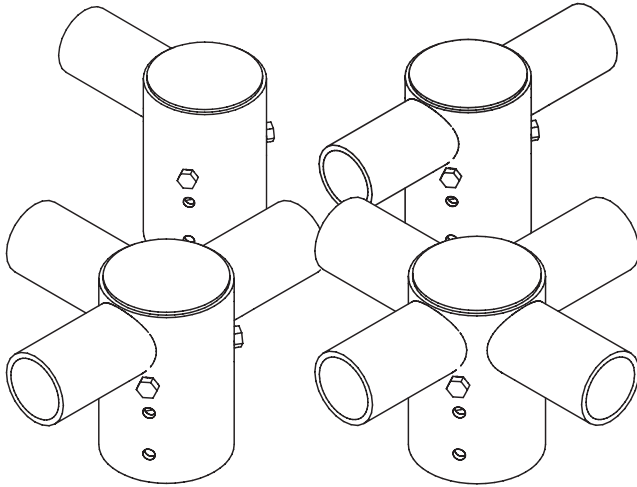


# PTSL POST TOP SLIP FITTER



Heavy duty slip fitter brackets designed for our flood and area lights. Brackets allow for 1 to 4 fixtures per pole.

## FEATURES

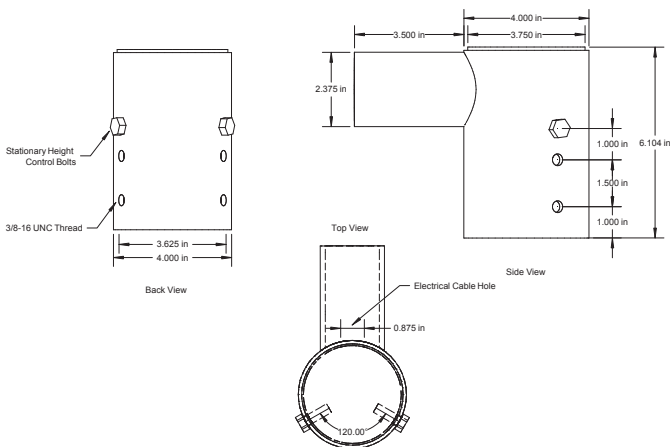
- Rust resistant
- Quick install
- 1 year warranty

## TECHNICAL SPECIFICATIONS

Construction	Cold rolled steel ; Welded construction
Finish	Grey (standard), black, bronze and custom colour options available
Mounting	Pole 2 3/8" slip fitter adapter
Applications	Outdoors
Maximum Load	100lbs per arm

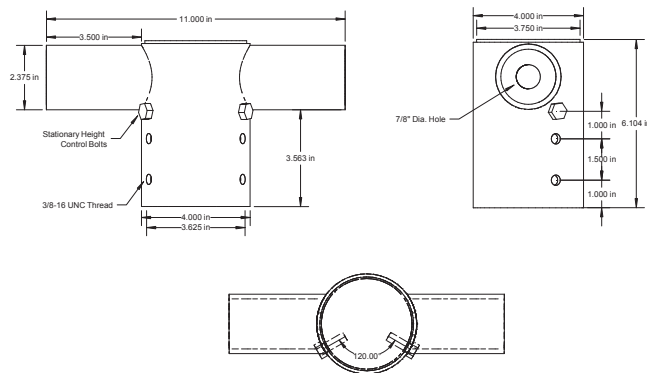
## DIMENSIONS

### Single Light Fitter



- Notes:
- Cross Tubes - 2 3/8 x 3/16 Round Tubing
  - Upright Tube - 4 x 3/16 Round Tubing
  - Tube Cap - 12 ga.
  - Stationary Bolt - 3/8 x 1

### Double Light Fitter



- Notes:
- Cross Tubes - 2 3/8 x 3/16 Round Tubing
  - Upright Tube - 4 x 3/16 Round Tubing
  - Tube Cap - 12 ga.
  - Stationary Bolt - 3/8 x 1

info@ecopowerled.com | ecopowerled.com | 1.800.564.8086



A Canadian  
Manufacturer

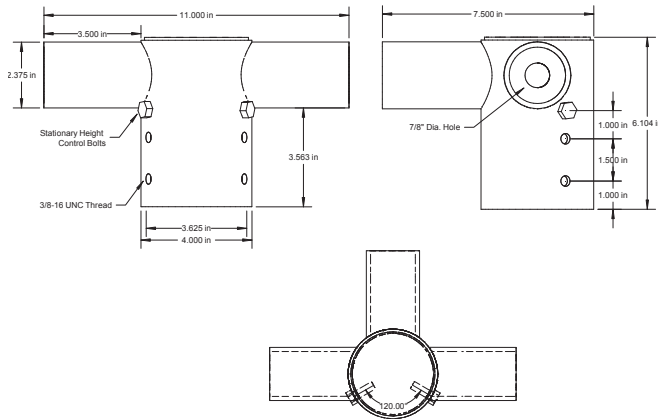
©2018 Ecopower Inc. All rights reserved.  
REV-0723.18-123610

# PTSL POST TOP SLIP FITTER



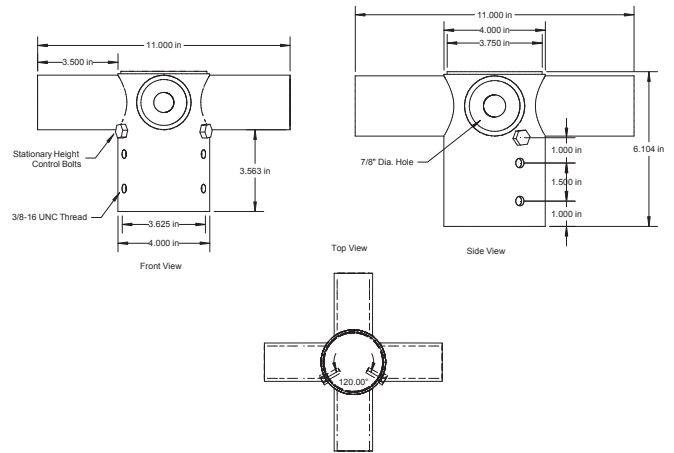
## DIMENSIONS

### Triple Light Fitter



- Notes:  
 Cross Tubes - 2 3/8 x 3/16 Round Tubing  
 Upright Tube - 4 x 3/16 Round Tubing  
 Tube Cap - 12 ga.  
 Stationary Bolt - 3/8 x 1

### Quad Light Fitter



- Notes:  
 Cross Tubes - 2 3/8 x 3/16 Round Tubing  
 Upright Tube - 4 x 3/16 Round Tubing  
 Tube Cap - 12 ga.  
 Stationary Bolt - 3/8 x 1

## PRODUCT CODE GENERATOR Some combinations of adders may not be possible, email quotes@ecopowered.com for further info.

<b>PTSL</b>			-	
	<b>Mounting Arms</b>	<b>Pole Mount Size " (ID)</b>		<b>Options</b>
	Single	2.5"		B07 Driver Disconnect - Inline power disconnect (CSA, UL req'd for voltages above 150v)
	Double	2.75"		BLK Black
	Triple	3.3"		BRZ Bronze
	Quad	4"		WH White
				CC(xx)* Custom Colour* insert custom colour here (xx), RAL/DRYLAC

