

POST TOP ARCHITECTURAL LED

PTA

ecOLED™

A DIVISION OF ecOPower



FEATURES

- Wet rated for outdoor use
- 50W replaces 100-150W; 75W replaces 150-200W; 100W replaces 300-400W
- IP66
- Precision die cast aluminum with heat sinking across the full module enabling long life span
- Low glare NEMA V
- 0-10vDC dimmable

OPTIONS

- Photocell
- Colour options: Black standard; Bronze, White, Grey options
- 347v (Available in 100w only)

Our PTA Post Top Architectural LED provides low glare, NEMA V even distribution of up to 17,500 delivered lumens. Available in 50, 70, 100, and 170w models. Controls compatible and available with 0-10vDC dimmable driver and 4 pin photocell. Constructed from solid aluminum and utilizing a high-quality shatter resistant borosilicate lens. Fits standard 2 3/8" Tenon mounts.

TECHNICAL SPECIFICATIONS

| | |
|--------------|---|
| Housing | Die-cast aluminum with fade-resistant powder coat paint |
| Finish | Black standard, bronze, white, grey options |
| Lens | Toughened glass lens |
| Mounting | Tenon mount |
| Applications | Pathways, parking areas, gardens and any outdoor space |

OPTICAL & PERFORMANCE SPECIFICATIONS

| | |
|----------------|---|
| Lumen Output | 50w: 5,497-5,685L 75w: 8,147 - 8,429L 100w: 11,264 - 11,588L 170w: 17,218 - 17,465L |
| IP Rating | IP66 |
| NEMA | TYPE V |
| L70 | 54,000 hours |
| Certifications | cUL, CE, RoHS, SAA, meets most North American incentive programs, email quotes@ecopowered.com for qualifying part numbers |

ELECTRICAL SPECIFICATIONS

| | |
|---------------------|---|
| Available Wattages | 50w, 75w, 100w, 170w |
| Power Factor | >0.9 |
| Ambient temperature | -30° to 50°C |
| Available Voltages | 100-277vAC standard; 347v option (100w only) |



AVAILABLE IN 347V WITH B03 ADDER



info@ecopowerinc.com | ecoled.ecopowerinc.com | 1.800.564.8086



A Canadian Manufacturer

©2019 Ecopower Inc. All rights reserved.

REV-0726.19-114926

Warranty is only valid based on fixtures operating for 12 hours or less per day.

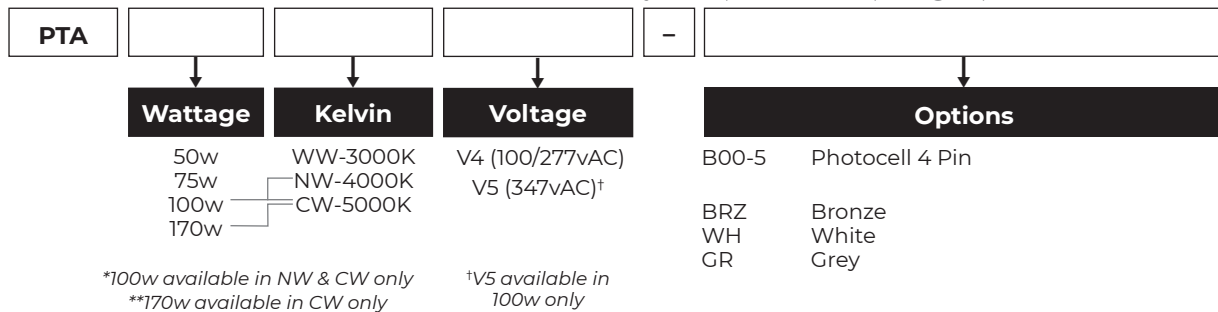
PTA | POST TOP ARCHITECTURAL LED



DIMENSIONS



PRODUCT CODE GENERATOR Some combinations of adders may not be possible, email quotes@ecopowerinc.com for further info.



POST TOP ARCHITECTURAL LED

PTA

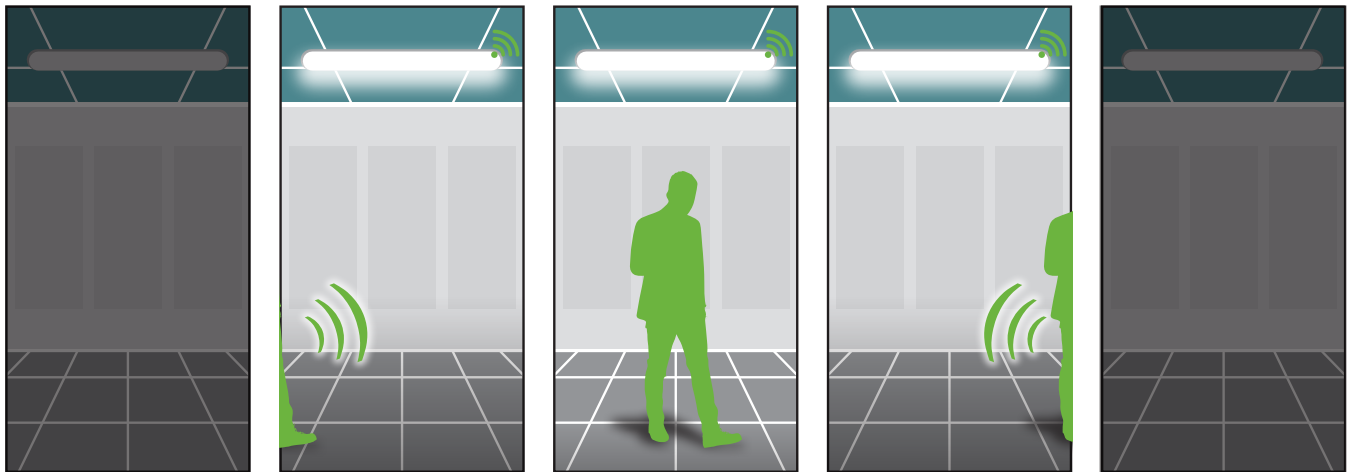
ecOLED™
A DIVISION OF ecPOWER

ECOCONTROLS INTEGRATION Available in 347v with B03 Adder

ecCONTROLS™
POWERED BY nebula

Light when you need it. Savings when you don't.

Advanced sensors work in combination with dimming to provide full illumination only when needed, returning to a reduced level when the area is unoccupied - saving overhead on energy costs. EcoCONTROLS control systems use artificial intelligence to predict peak times on the grid and provides advanced notice about potentially expensive time, allowing you to take action to further minimize your costs by reducing your power draw.



info@ecopowerinc.com | ecoled.ecopowerinc.com | 1.800.564.8086



A Canadian
Manufacturer

©2019 Ecopower Inc. All rights reserved.
REV-0726.19-114958