

JJ LED VAPOURTIGHT JELLY JAR

ecoLED™
A DIVISION OF **ecopower**



FEATURES

- Replaces 100W Incandescent or 23W CFL
- Suitable for Inverted Mounting
- Multiple Conduit Entries for Easy Wiring
- Frosted Glass Lens Standard

OPTIONS

- Polycarbonate Lens Available
- Wall or Ceiling Mount

The JJ LED Vapourtight Jelly Jars are designed to replace 100-watt incandescent and 23-watt CFL fixtures with high-quality, long-lasting illumination over doorways, scaffolding, construction sites, fire hydrants, and emergency call stations. IP66 rated against ingress of dust and pressurized water in harsh environments, the JJ LED Vapourtight Jelly Jar can be wall or ceiling mounted, and are suitable for inverted mounting.

TECHNICAL SPECIFICATIONS		OPTICAL & PERFORMANCE SPECIFICATIONS	
Housing	Die-cast, Powder Coated Aluminum	IP Rating	IP66
Finish	Silver	Lumen Output	Glass: 1,160L // PC: 1,330L
Lens	Frosted glass standard; PC option	CRI	70
Mounting	Ceiling mount standard; wall option	THD	<25%
Applications	Doorways, scaffolding, construction sites, fire hydrants, emergency call stations, any application requiring protection against dust or debris, harsh environments	BUG Rating	B0-U3-G1
		L70	50,000 hours at TM-21 standards, 25°C
		Certifications	ETL, FCC, RoHS

ELECTRICAL SPECIFICATIONS	
LED Engine	Everlite/Bridgelux
Available Wattages	14w
Power Factor	>0.9
Ambient temperature	-34° to 40°C
Available Voltages	100-277vAC



info@ecopowerinc.com | ecoled.ecopowerinc.com | 1.800.564.8086



A Canadian
Manufacturer

Warranty is only valid based on fixtures operating for 12 hours or less per day.

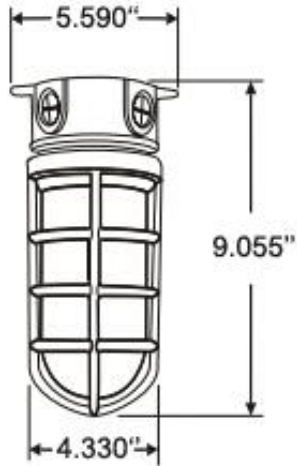
©2019 Ecopower Inc. All rights reserved.
REV-0418.19-114441

JJ | LED VAPOURTIGHT JELLY JAR

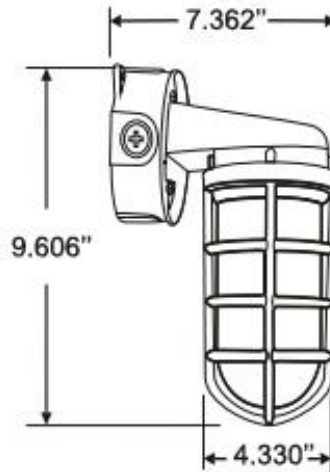


DIMENSIONS

CEILING MOUNT



WALL MOUNT



PRODUCT CODE GENERATOR Some combinations of adders may not be possible, email quotes@ecopowerinc.com for further info.

JJ					-	
	Wattage	Kelvin	Voltage	Mounting		Options
	14w	NW (4000K) CW (5000K)	V4 (100-277vAC)	C (Ceiling Mount) W (Wall Mount)		Lens (Frosted glass standard) L2G Frosted Glass Lens L2B Blue Glass Lens L2A Amber Glass Lens L2PC PC Frosted Lens L2R Red Glass Lens L2V Green Glass Lens Controls B00 Photocell



LED VAPOURTIGHT JELLY JAR



ECOCONTROLS INTEGRATION



Light when you need it. Savings when you don't.

Advanced sensors work in combination with dimming to provide full illumination only when needed, returning to a reduced level when the area is unoccupied - saving overhead on energy costs. EcoCONTROLS control systems use artificial intelligence to predict peak times on the grid and provides advanced notice about potentially expensive time, allowing you to take action to further minimize your costs by reducing your power draw.

