

FLP FLATLINE LED PANEL WITH INTEGRATED DRIVER

ecoLEDTM
A DIVISION OF **ecopower**

FEATURES

- 0-10v dimmable standard

OPTIONS

- Surface mount



The clean and elegant design of our FlatLine series LED flat panels provide a modern alternative to traditional fluorescent troffers. Reaching up to 110lm/w, the 1.09" thickness allows installation of the LED light just about anywhere, especially in small and confined spaces. Mount recessed or surface. Perfect, even illumination.

TECHNICAL SPECIFICATIONS

Housing	White aluminum frame
Finish	White
Mounting	Recessed; surface mount option
Applications	Retail, storage, data centres, commercial, residential, hospitals, schools

ELECTRICAL SPECIFICATIONS

Lighting Source	Samsung SMD side lit technology
Available Wattages	2x2: 27w, 40w 2x4: 40w, 50w
Input Voltage	100-277vAC
Power Factor	>0.98
Ambient temperature	-30° to 40°C
Available Voltages	110-277v standard

OPTICAL & PERFORMANCE SPECIFICATIONS

Lumen Output	2x2: 27w: 2,939L 40w: 4,153L 2x4: 40w: 4,084L 50w: 5,227L
CRI	80
LM80	>50,000 hours
Certifications	cETL, RoHS, CE, Damp location rated, ICC rated



info@ecopowerinc.com | ecoled.ecopowerinc.com | 1.800.564.8086



A Canadian
Manufacturer

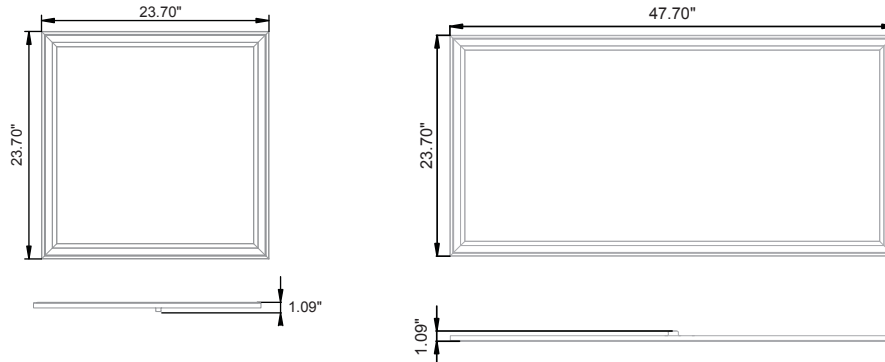
Warranty is only valid based on fixtures operating for 12 hours or less per day.

©2019 Ecopower Inc. All rights reserved.
REV-0724.19-144639

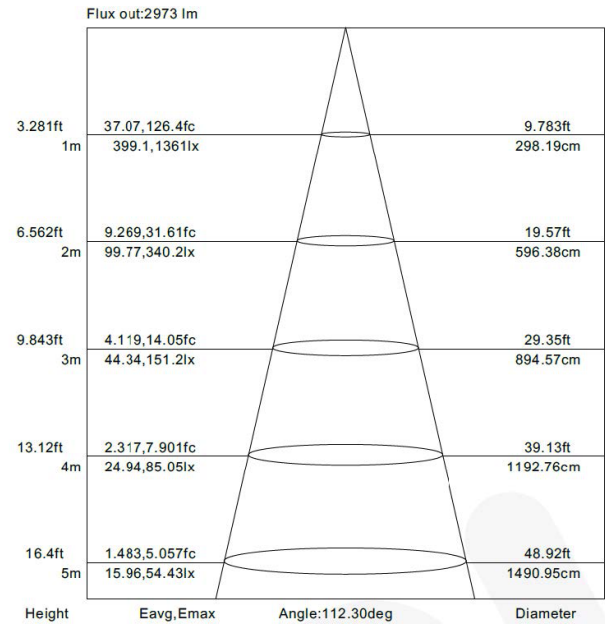
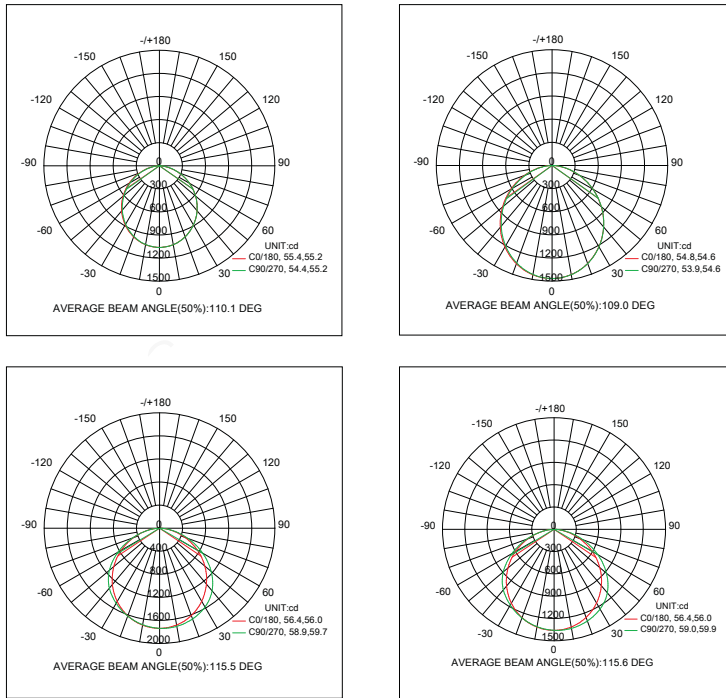
FLP FLATLINE LED PANEL WITH INTEGRATED DRIVER



DIMENSIONS



PHOTOMETRICS



AVAILABLE MODELS

- FLP2X440W35KV4
- FLP2X240WNWV4
- FLP2X240W35KV4