

CL LED COOLER SHOWCASE



FEATURES

- Quick install
- Can be used with occupancy sensor
- Instant-start, no flickering, no humming

OPTIONS

- Frosted lens (clear is standard)
- External driver (internal is standard)

2', 3', 4', 5' & 6' LED cooler showcase light, available from 4 watt to 30 watt with internal or external drive. Easy to install, lasts over 50,000 hours. Optical spread is ideal for front & cross lighting of product.

TECHNICAL SPECIFICATIONS	
Housing	Aluminum extruded body clear acrylic lens
Finish	White body as shown
Applications	Refrigerated product showcases

ELECTRICAL SPECIFICATIONS	
Lighting Source	Samsung LED Arrays
Available Wattages	See chart below +/- 5%
Power Factor	>0.9
Ambient temperature	-20° to 50°C
Available Voltages	100-277v

OPTICAL & PERFORMANCE SPECIFICATIONS	
IP Rating	IP44
CRI	>80
Beam Angles	120°
L70	> 50,000 hours
LM80	50,000 hours
LM79	100 lumens per watt
Downflux efficiency	99%
Certifications	Approved to CSA and UL standards (UL or equivalent, marked only when specified)

	LENGTH	WATTAGE	LUMENS
External	2'	8w	880
	3'	8w / 12w	880 / 1320
	4'	15w / 18w / 22w	1650 / 1980 / 2420
	5'	20w / 22w	2200 / 2420
	6'	22w / 30w	2530 / 3300
Internal	3'	8w / 12w	880 / 1320
	4'	15w / 18w / 22w	1650 / 1980 / 2420
	5'	20w / 22w	2200 / 2420
	6'	22w / 30w	2530 / 3300



info@ecopowerinc.com | ecoled.ecopowerinc.com | 1.800.564.8086

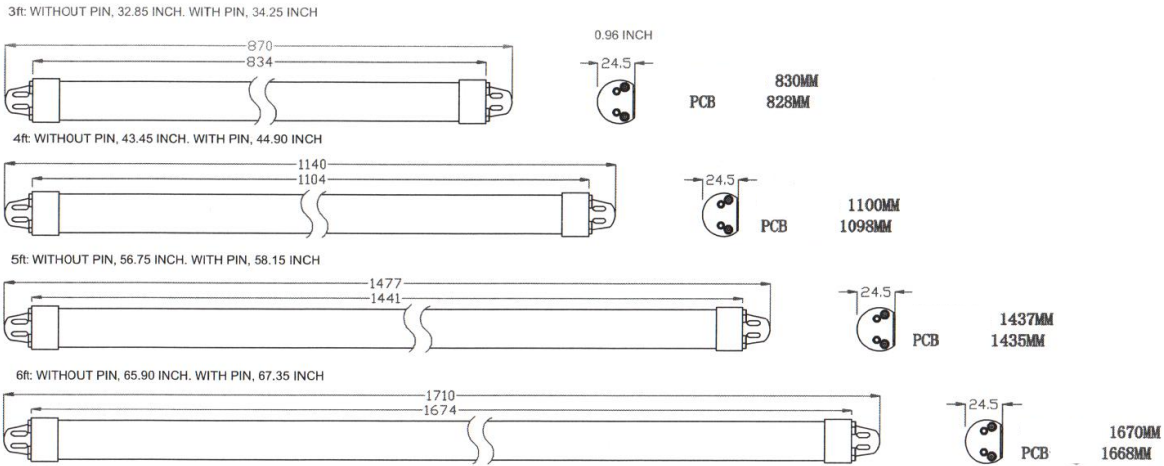


A Canadian Manufacturer

©2019 Ecopower Inc. All rights reserved. REV-0724.19-145206

Warranty is only valid based on fixtures operating for 12 hours or less per day.

DIMENSIONS



PRODUCT CODE GENERATOR Some combinations of adders may not be possible, email quotes@ecopowerled.com for further info.

